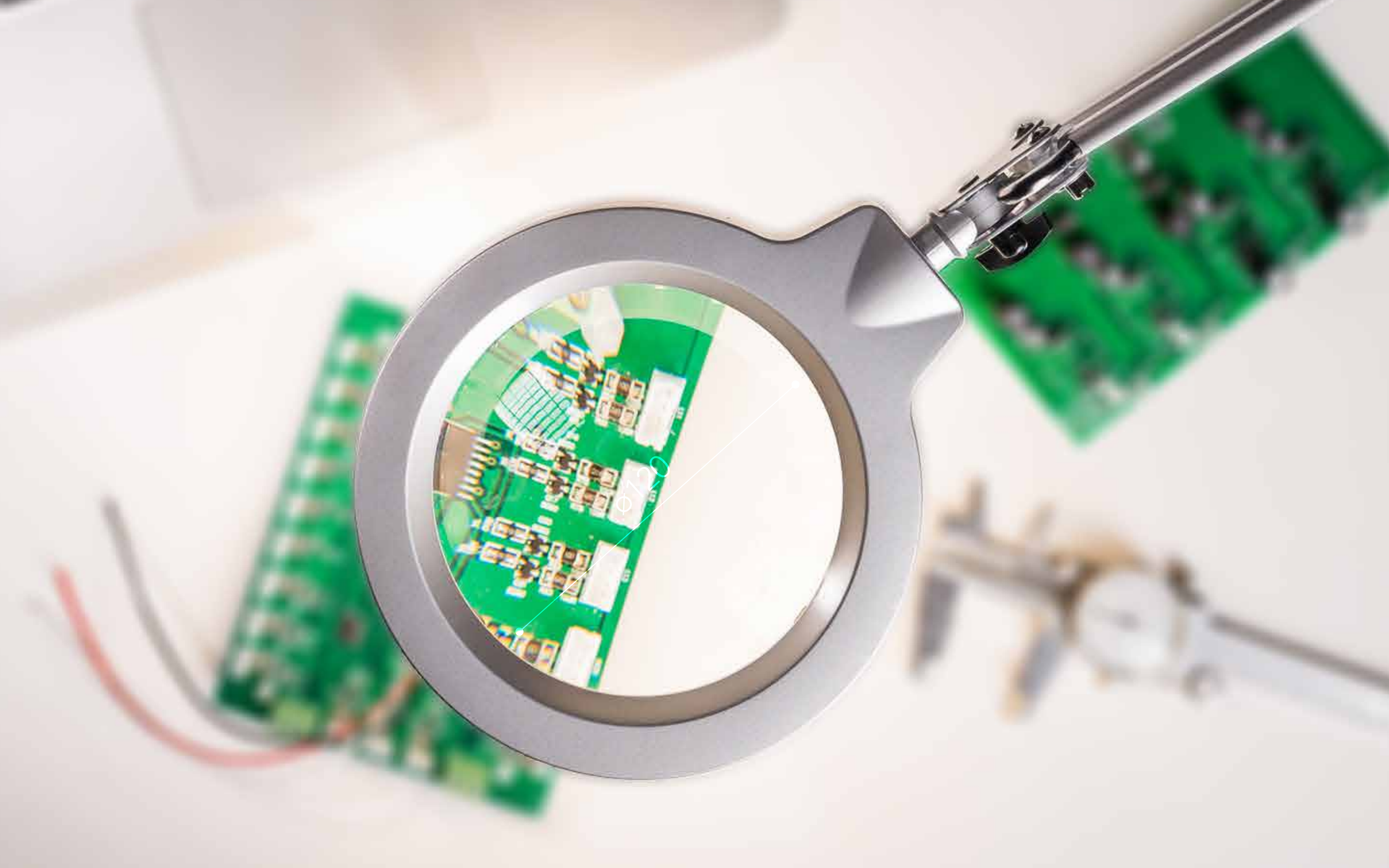




SH108 Sliver



Aluminum Shade with K9 Optical Glass Lens

- Aluminum shade with efficient heat dissipation
- 180° adjustable shade neck
- 5" high clarity white optical lens
- High transparency and High clarity



Professional LED light source by Nichia

- Equipped with circular LED lighting. Uniformly distributed light source
- Qualified for AA level of JIS standard
- Outstanding illumination quality provides great match with magnifier
- Well-trusted brand LED made by Nichia
- Paired with Aluminum MCPCB providing more thermal efficiency.
Reduce light decay and provide great durability



Flexible Balance Arm

- Exquisite design, blend in various situations and environments
- Minimalism appearance and sophisticated structure with hidden springs
- Same parallel movement but no springs shown
- Precisely calculated mechanical structure, moving and changing angle effortlessly
- Agile arm able to handle various needs

Specifications

Materials Shade: Aluminum

Arm: Aluminum

Clamp: Aluminum

Lens 5" high clarity white optical glass lens

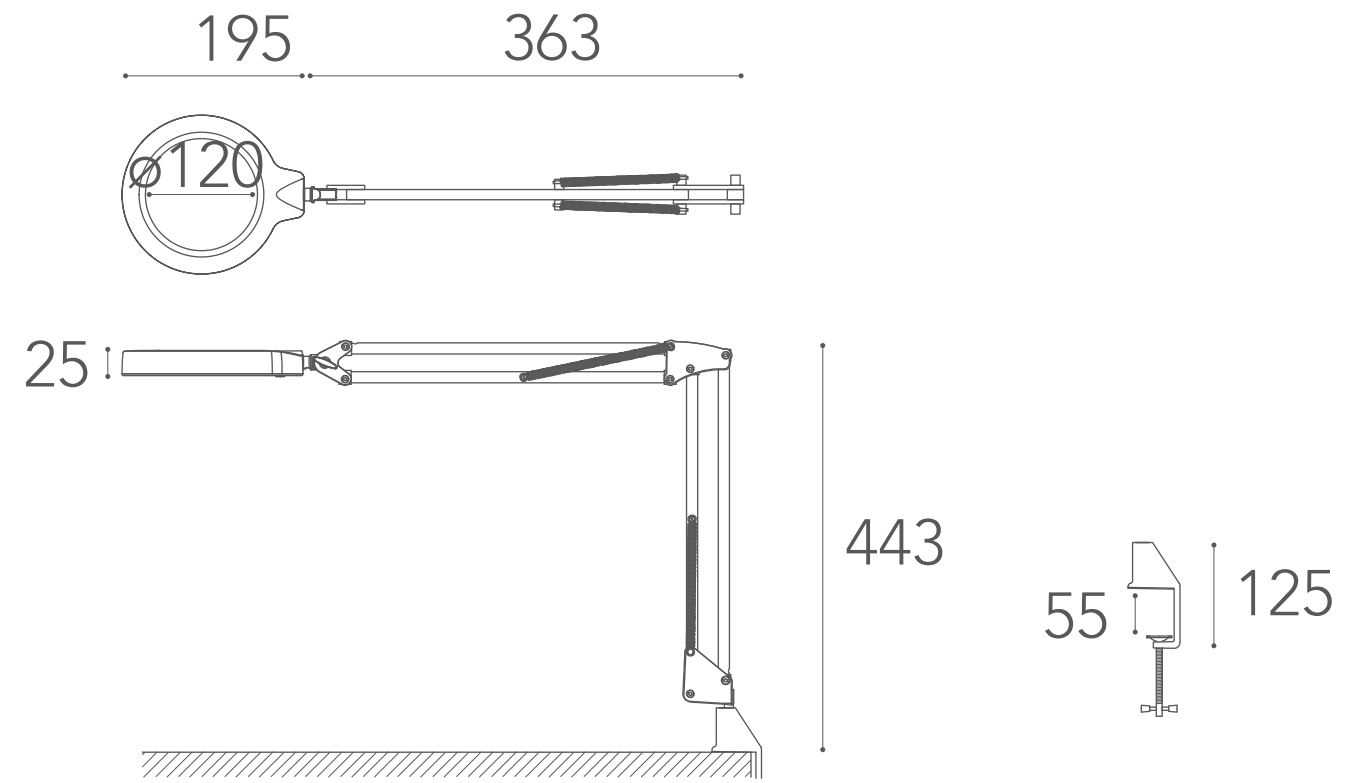
Dioptr 1.75x / 2.25x

Color Sliver / white

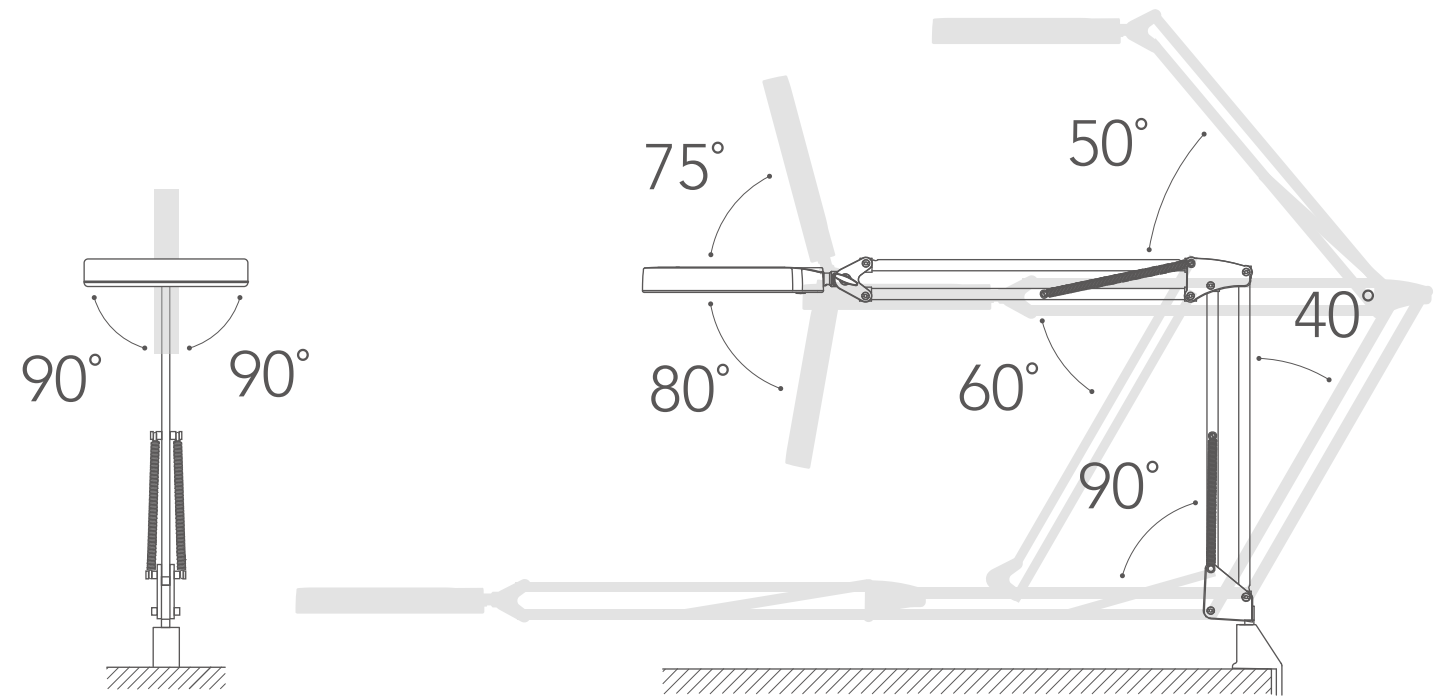
Mounting Table clamp

Dimensions

Size
*mm



Movement



Performance

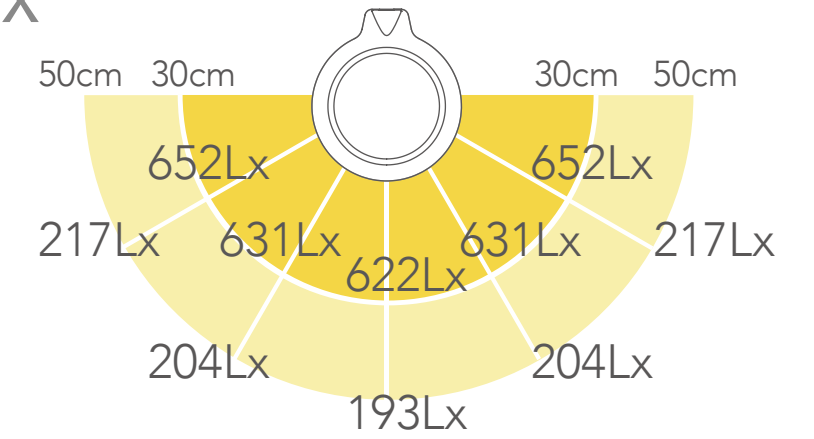
Lightsource

Nichia LED

Illuminance

1450 lux

*The test data is measured by 40cm from desk surface to center illumination of the lamp.



Color temperature

4000K

CRI

CRI 80

Dimmable

Yes

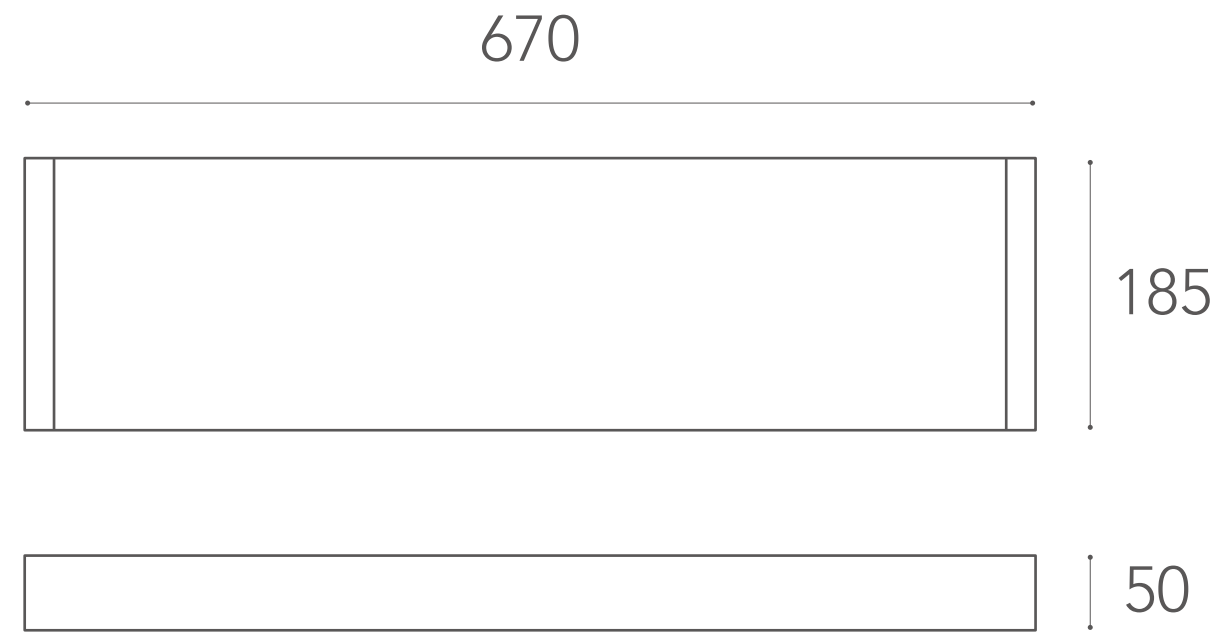
Adapter input

100~240 V 50/60Hz 0.5 A

Power consumption

7 W

Box



Packing

Weight

2 kg

Contents

Luminaire

Table clamp

Power adaptor