



SJ68 White



$\phi 120$

# Light-weight Shade with K9 Optical Lens

- Light-weight and agile shade
- 180° adjustable shade neck
- 5" high clarity white optical lens
- High transparency and High clarity



# Professional LED light source by Nichia

- Equipped with circular LED lighting. Uniformly distributed light source
- Qualified for AA level of JIS standard
- Outstanding illumination quality provides great match with magnifier
- Well-trusted brand LED made by Nichia
- Paired with Aluminum MCPCB providing more thermal efficiency.  
Reduce light decay and provide great durability



# Flexible Balance Arm

- Parallel, three-pivot arm, with maximum reach of 1.2 meter
- Designed for agile and unrestrained movement
- Best suited for precise testing, industrial uses, and reading aid
- Great equipment for beauty salons or craftsmanship

## Specifications

Materials

Shade: Plastic

Arm: Iron

Clamp: Aluminum

---

Lens

5" high clarity white optical glass lens

---

Dioppter

1.75x / 2.25x

---

Color

White

---

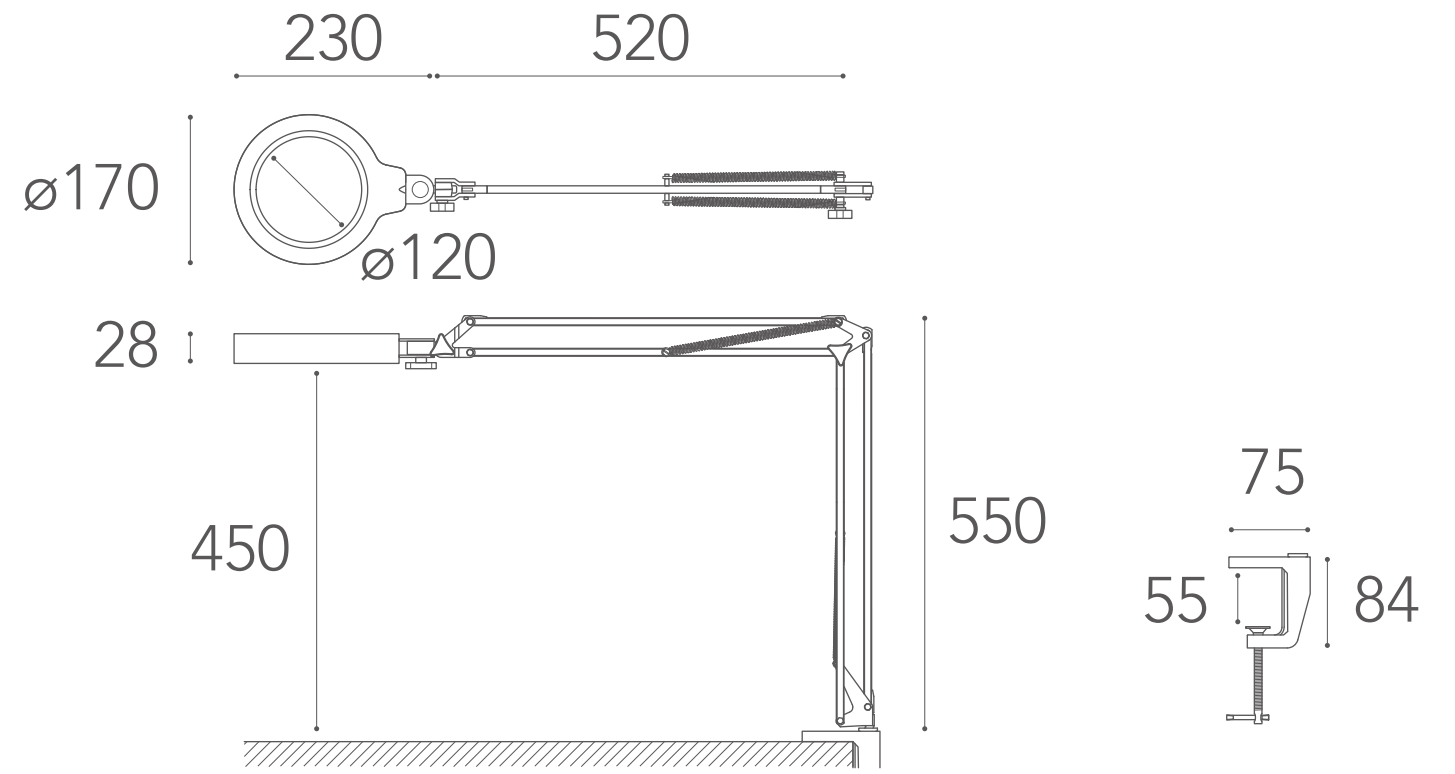
Mounting

Table clamp



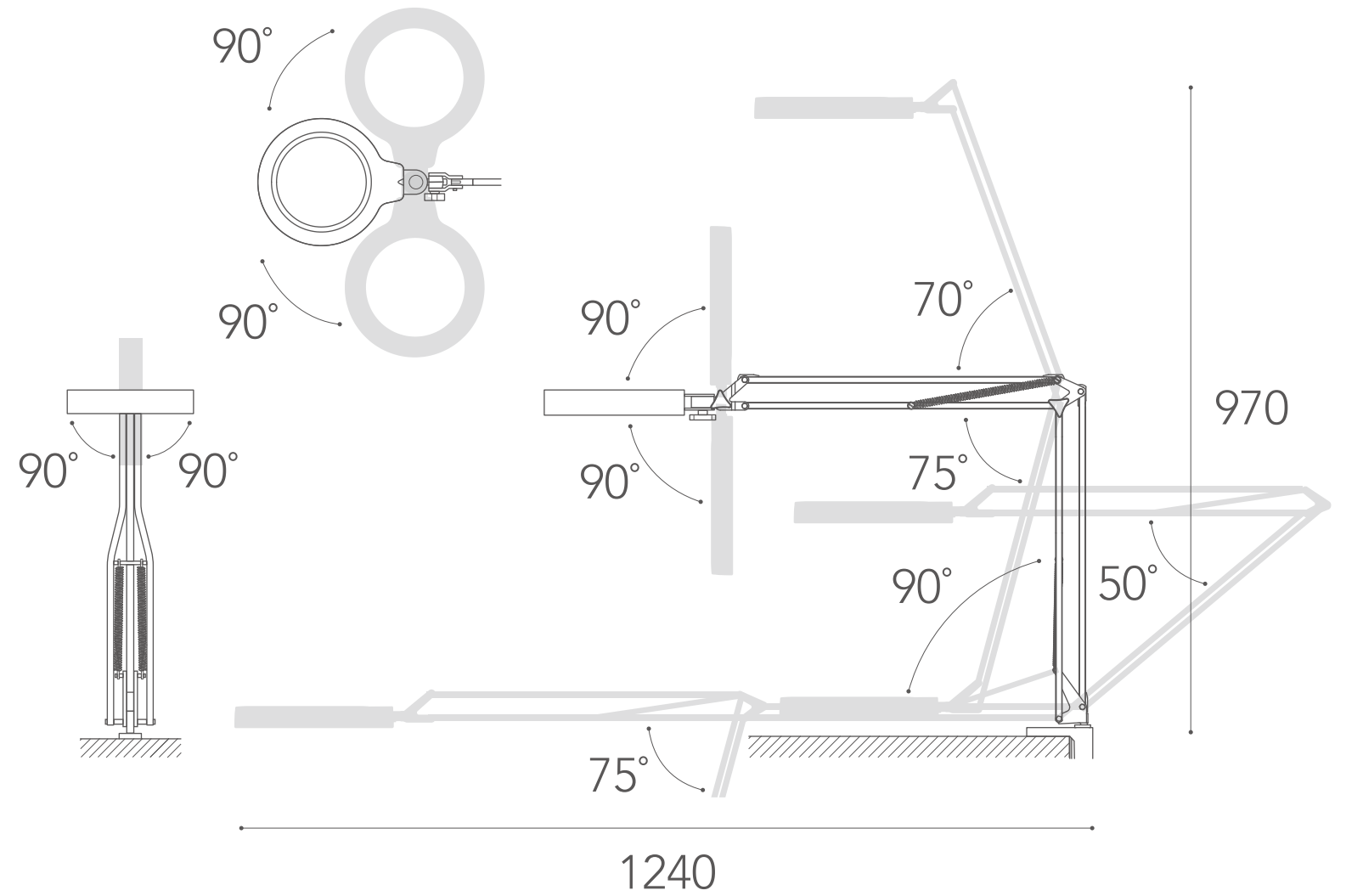
# Size

\*mm



# Dimensions

# Movement



# Performance

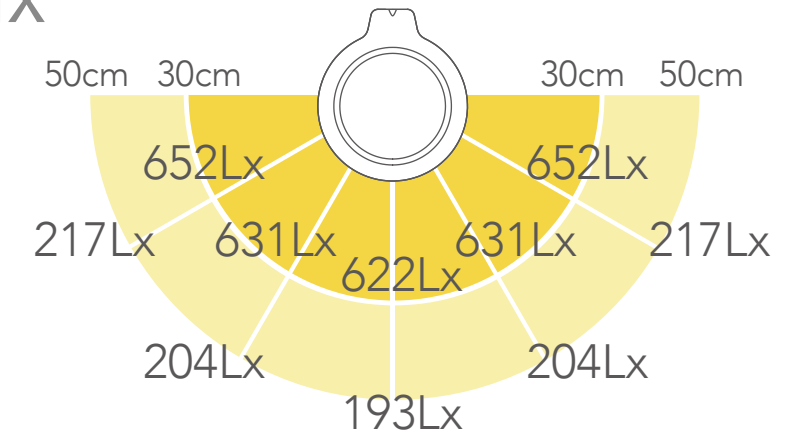
Lightsource

Nichia LED

Illuminance

1450 lux

\*The test data is measured by 40cm from desk surface to center illumination of the lamp.



Qualified for AA level of JIS standard

Color temperature

4000K

CRI

CRI 80

Dimmable

Yes

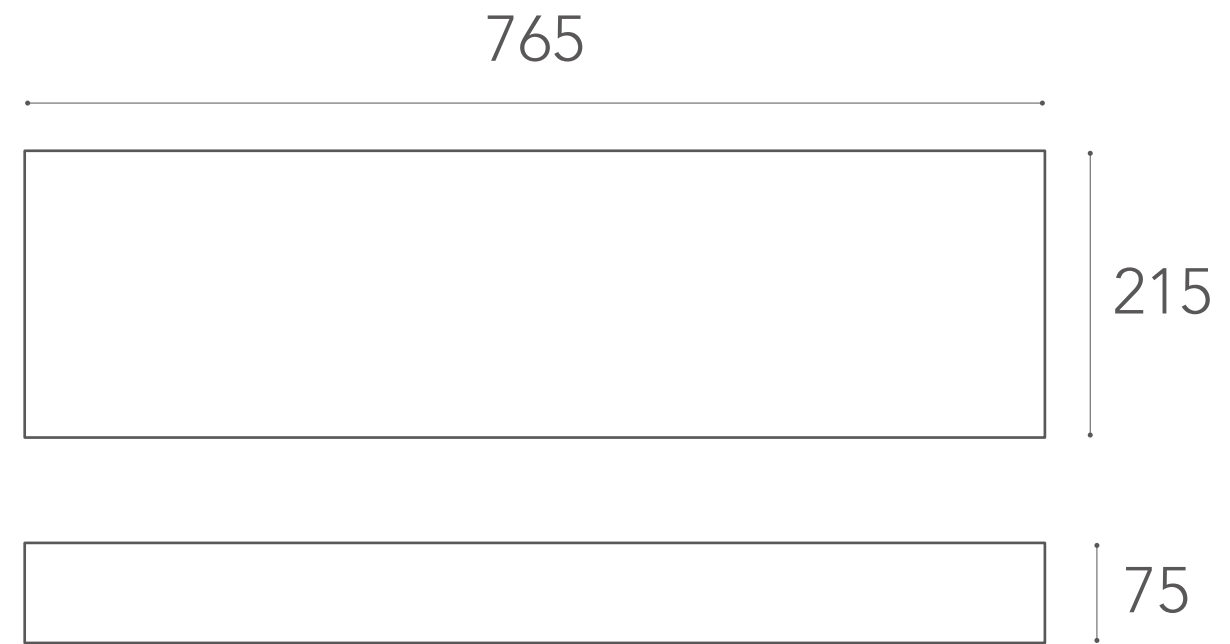
Adapter input

100~240 V 50/60Hz 0.5 A

Power consumption

7 W

Box



## Packing

---

Weight

2 kg

---

Contents

Luminaire

Table clamp

Power adaptor