



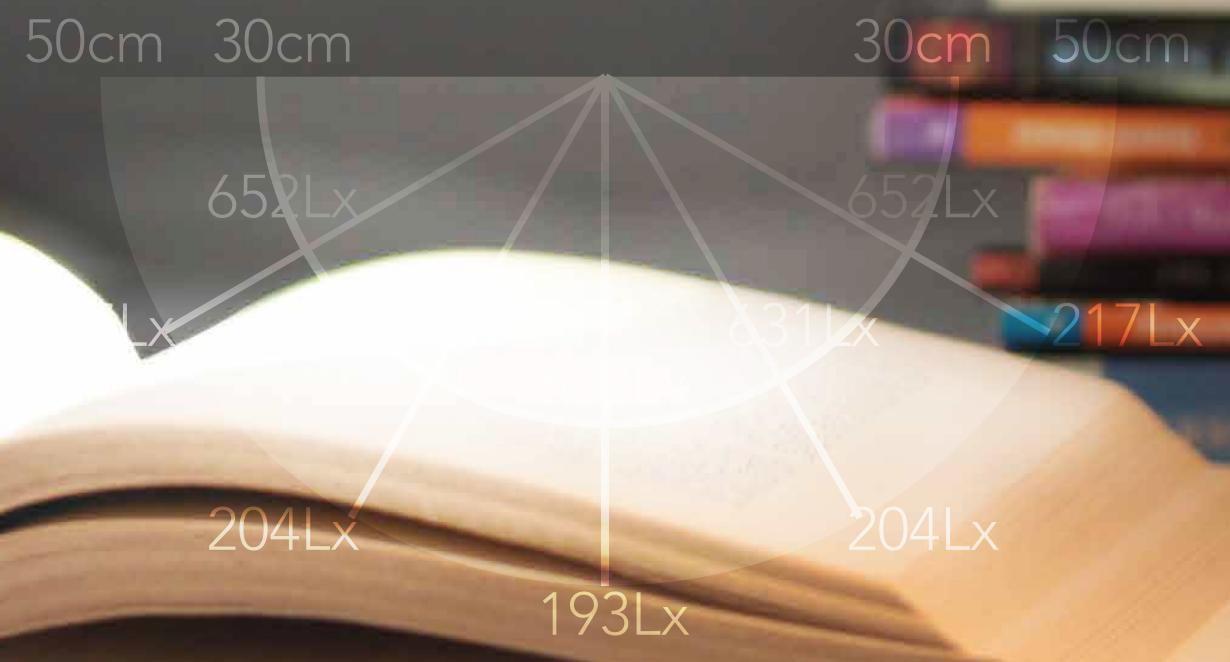
SY108 Black



∅120

Aluminum Shade with K9 Optical Glass Lens

- Aluminum shade with efficient heat dissipation
- 180° adjustable shade neck
- 5" high clarity white optical lens
- High transparency and High clarity



Professional LED light source by Nichia

- Equipped with circular LED lighting. Uniformly distributed light source
- Qualified for AA level of JIS standard
- Outstanding illumination quality provides great match with magnifier
- Well-trusted brand LED made by Nichia
- Paired with Aluminum MCPCB providing more thermal efficiency.
Reduce light decay and provide great durability



80°

90°

195

375

55°

110°

375

Flexible Balance Arm

- Exquisite design, blend in various situations and environments
- Minimalism appearance and sophisticated structure with hidden springs
- Same parallel movement but no springs shown
- Precisely calculated mechanical structure, moving and changing angle effortlessly
- Agile arm able to handle various needs

Specifications

Materials Shade: Aluminum

Arm: Iron

Clamp: Aluminum

Lens 5" high clarity white optical glass lens

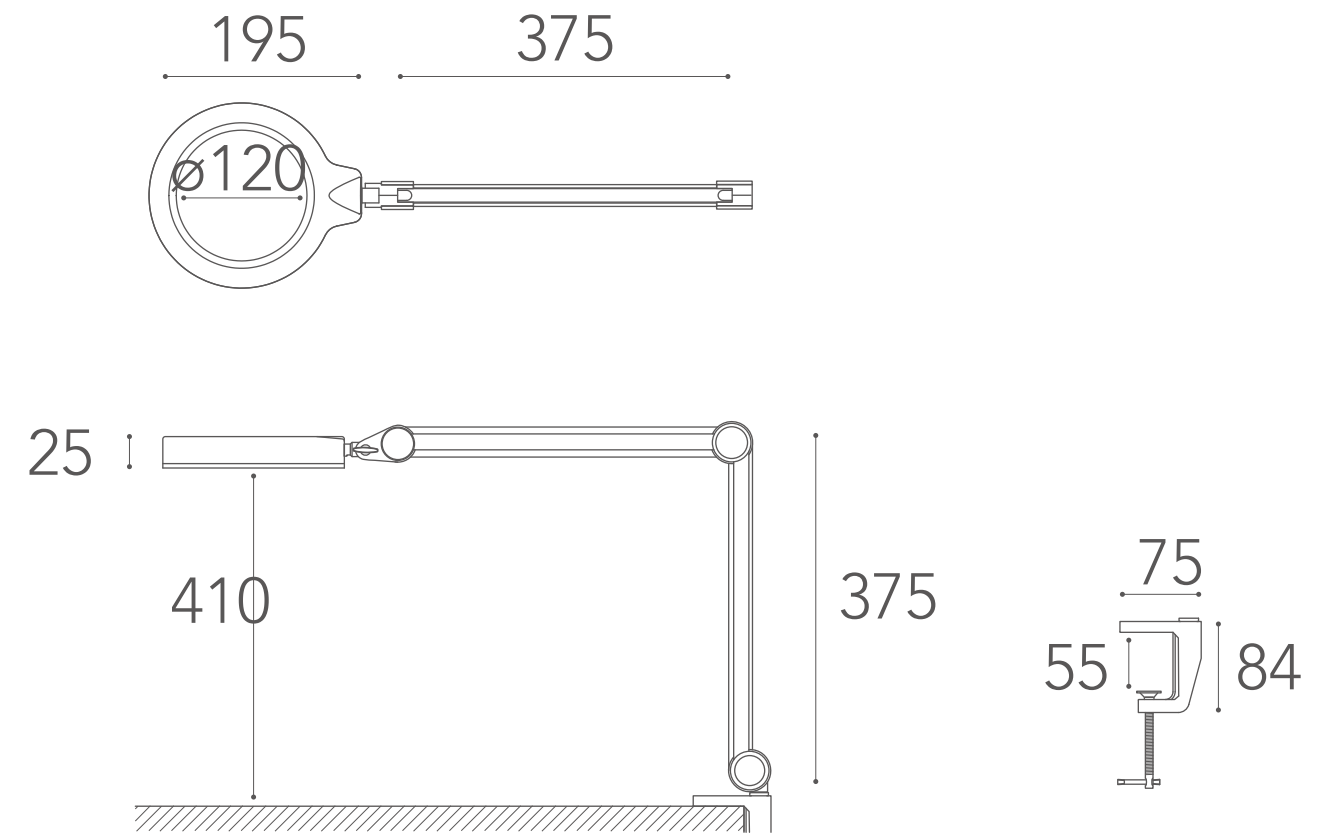
Dioptr 1.75x / 2.25x

Color Black / white

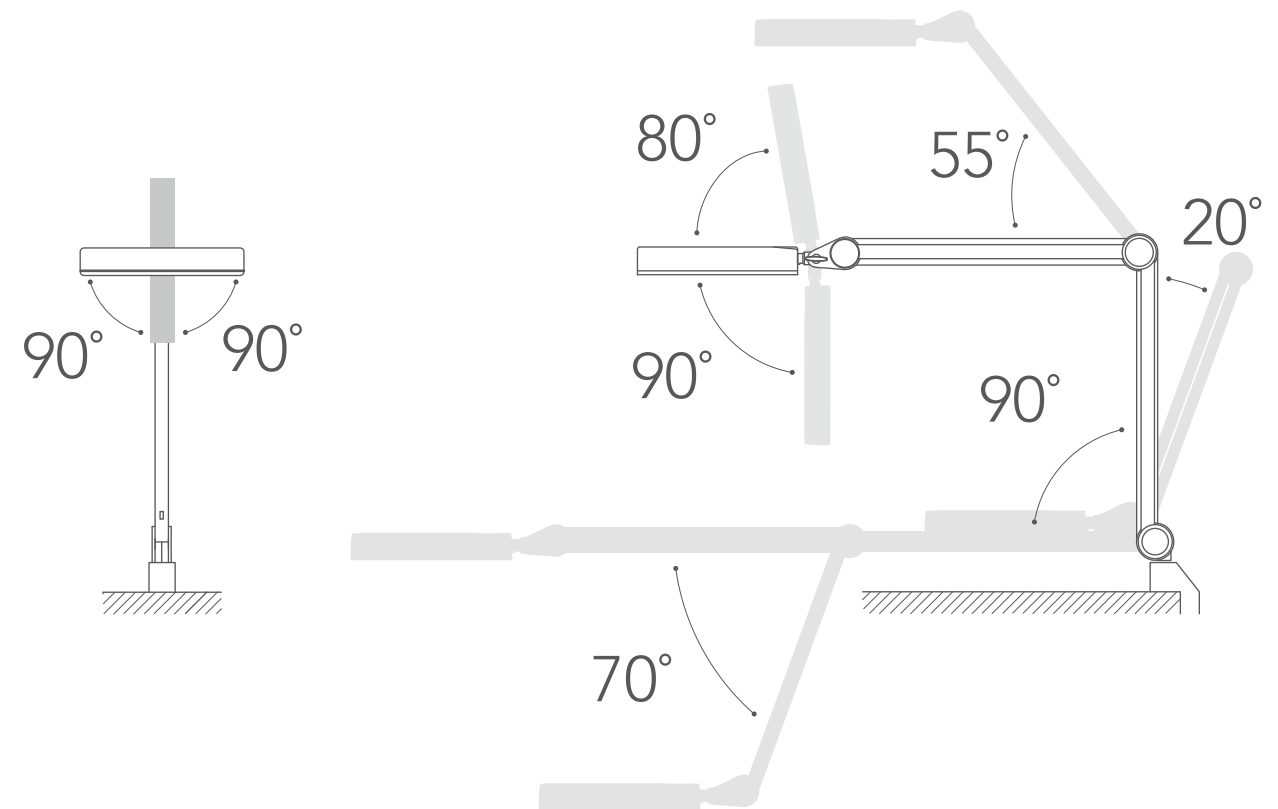
Mounting Table clamp

Dimensions

Size
*mm



Movement



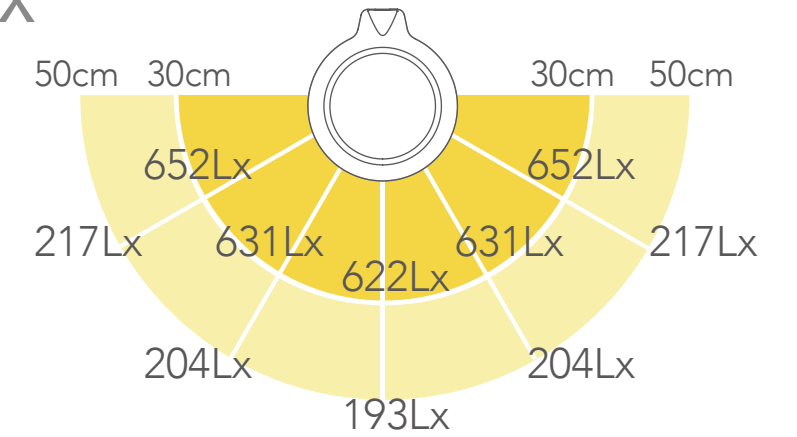
Lightsource

LED

Illuminance

1450 lux

*The test data is measured by 40cm from desk surface to center illumination of the lamp.



Qualified for AA level of JIS standard

Color temperature

4000K

CRI

CRI 80

Dimmable

Yes

Adapter input

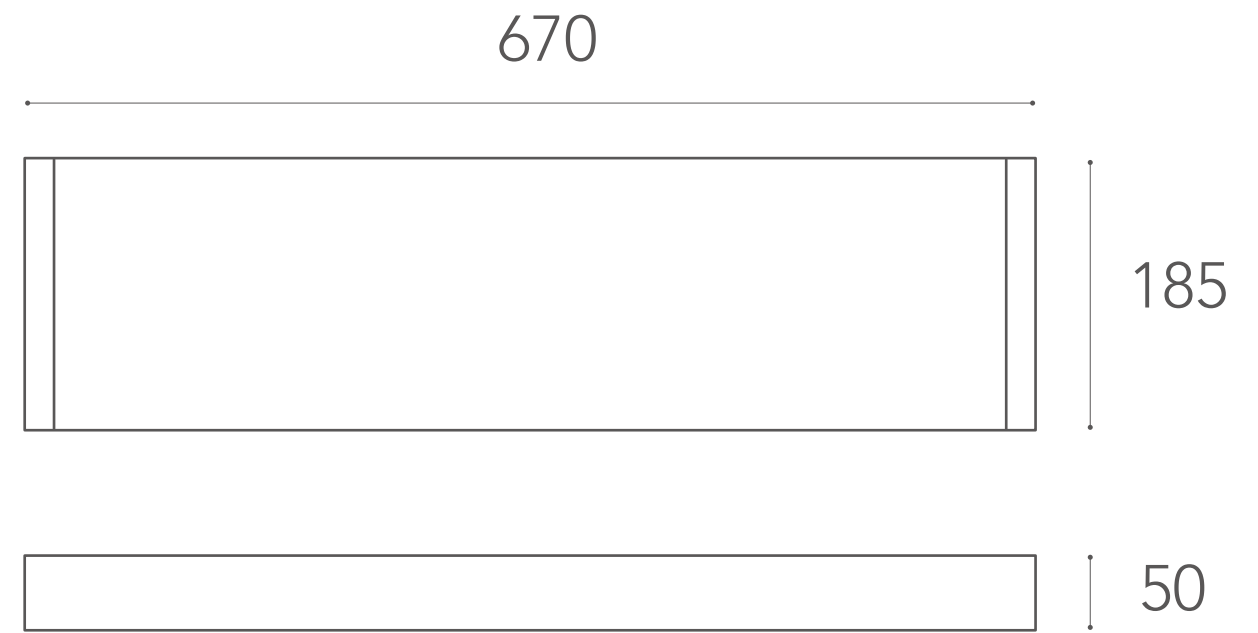
100~240 V 50/60Hz 0.5 A

Power consumption

7 W

Performance

Box



Packing

Weight

2 kg

Contents

Luminaire

Table clamp

Power adaptor